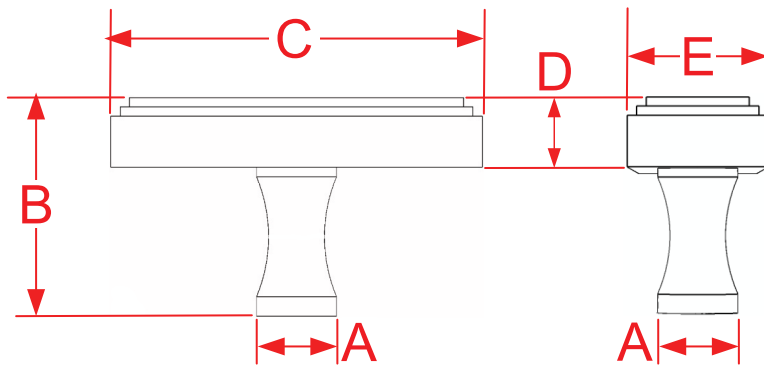
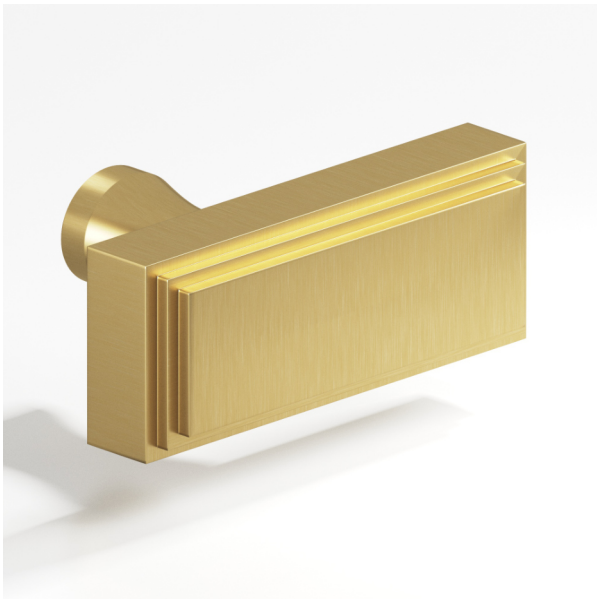


# 940 Cabinet Knob Series

Finishes for Life  
FINISH-FREE GUARANTEED



	A	B	C	D	E
Part #	Base	Projection	Overall	Thickness	Diameter
940	0.4375"	1.2070"	20000"	0.3750"	0.7500"
Custom Sizing Available					



Manufacturing Fine Architectural Hardware  
in the USA Since 1927



Copyright 2015  
Colonial Bronze Company  
All rights reserved  
[www.colonialbronze.com](http://www.colonialbronze.com) -  
860.489.9233