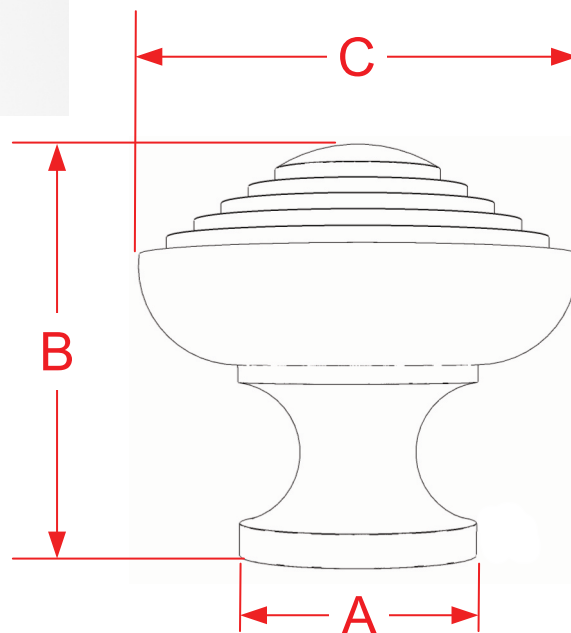


632 & 633 Cabinet Knobs Series

Finishes for Life
TARNISH-FREE GUARANTEED



| | A | B | C |
|-------------------------|---------------|------------|---------------|
| Part # | Base Diameter | Projection | Knob Diameter |
| 632 | 0.7500" | 1.1875" | 1.2500" |
| 633 | 0.7500" | 1.2500" | 1.5000" |
| Custom Sizing Available | | | |



Manufacturing Fine Architectural Hardware
in the USA Since 1927



Copyright 2015
Colonial Bronze Company
All rights reserved
www.colonialbronze.com -
860.489.9233