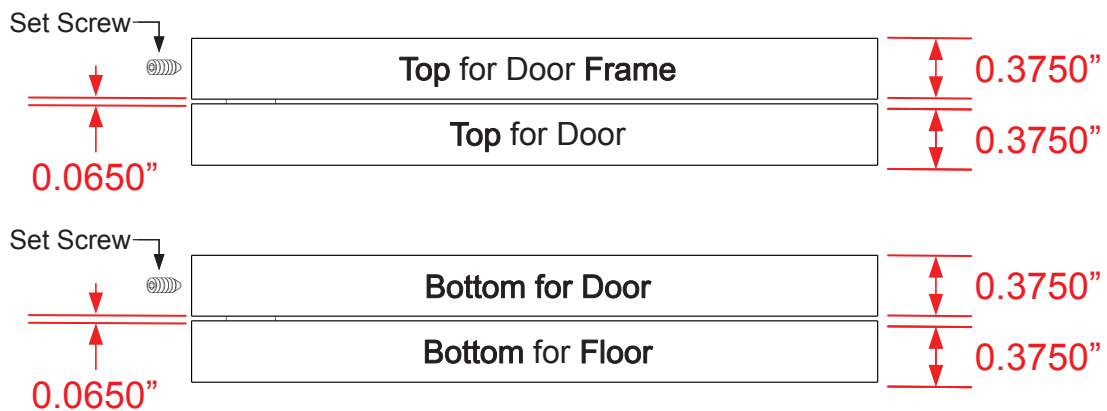
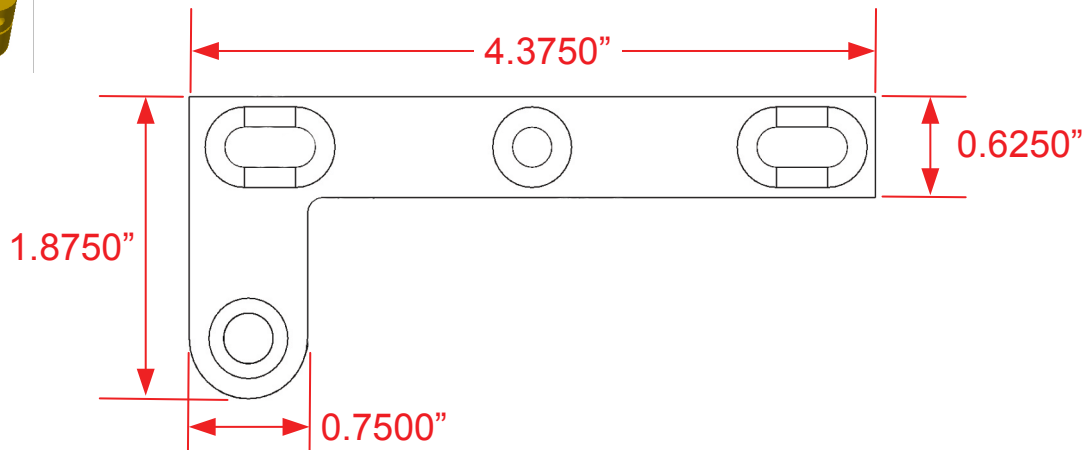
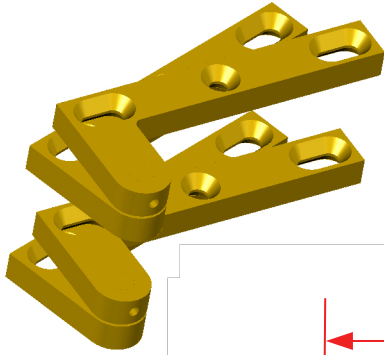


# #6FH Pivot Hinge

Finishes for Life  
TARNISH-FREE GUARANTEE



**Please note:**

- One pair per door (opening)
- Reversible, non-handed
- Ships in pairs
- #12 x 1.25 wood screws are included
- Supports a certified maximum load of 250 pounds



Manufacturing Fine Architectural Hardware  
in the USA Since 1927



Copyright 2015  
Colonial Bronze Company  
All rights reserved  
[www.colonialbronze.com](http://www.colonialbronze.com) -  
860.489.9233