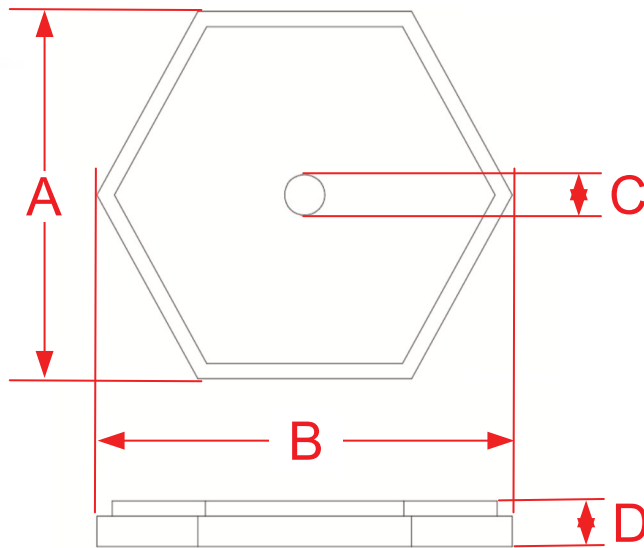


9626, 9627 & 9628 Cabinet Backplate

Finishes for Life
TARNISH-FREE GUARANTEED



Part #	A Diameter Flats	B Diameter Corners	C Center Hole Diameter	D Projection	D Screw
9626	1.2500"	1.4430"	0.1730"	0.1875"	8-32
9627	1.5000"	1.7320"	0.1730"	0.1875"	8-32
9628	1.7500"	2.0210"	0.1730"	0.1875"	8-32
Custom Sizing Available					



Manufacturing Fine Architectural Hardware
in the USA Since 1927



Copyright 2015
Colonial Bronze Company
All rights reserved
www.colonialbronze.com -
860.489.9233