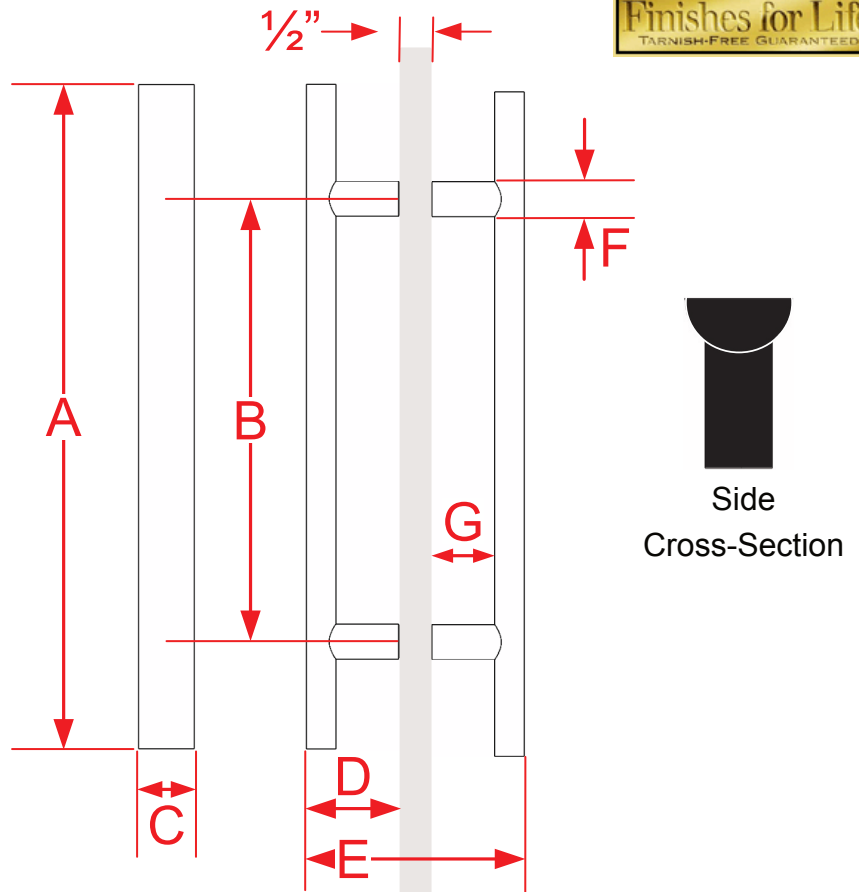


257BB Series Shower Door Pull

Finishes for Life
TARNISH-FREE GUARANTEED



| Part # | A Overall Height | B Center to Center | C Handle Width | D Projection | E Overall Width (1/2" Glass) | F Base Width | G Clearance |
|----------|---------------------|-----------------------|-------------------|-----------------|---------------------------------|-----------------|----------------|
| 257BB-6 | 10" | 6" | 1" | 1 9/16" | 3 5/8" | 1/2" | 1 1/16" |
| 257BB-8 | 12" | 8" | 1" | 1 9/16" | 3 5/8" | 1/2" | 1 1/16" |
| 257BB-10 | 14" | 10" | 1" | 1 9/16" | 3 5/8" | 1/2" | 1 1/16" |
| 257BB-12 | 16" | 12" | 1" | 1 9/16" | 3 5/8" | 1/2" | 1 1/16" |

Custom sizing available from up to 30" overall



Manufacturing Fine Architectural Hardware
in the USA Since 1927



Copyright 2024
Colonial Bronze Company
All rights reserved
www.colonialbronze.com
860.489.9233