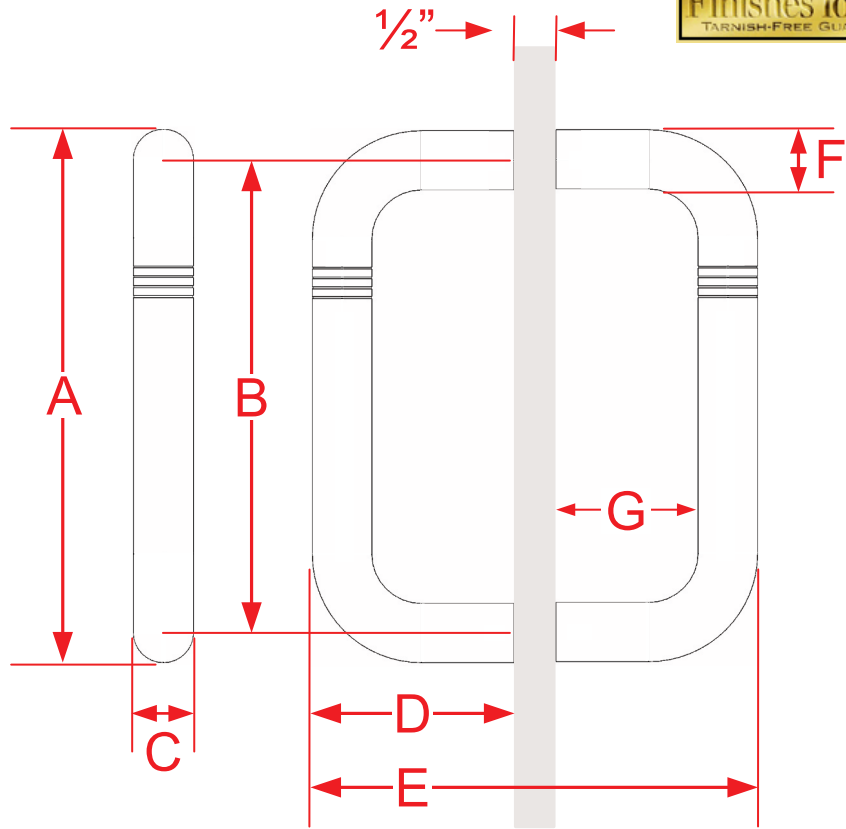


# 860BB, 258BB & 858BB Series Shower Door Pull

Finishes for Life  
TARNISH-FREE GUARANTEED™



Part #	A Overall Height	B Center to Center	C Handle Width	D Projection	E Overall Width (1/2" Glass)	F Base Width	G Clearance
860BB-6	6 1/2"	6"	1/2"	1 1/4"	3"	1/2"	3/4"
860BB-8	8 1/2"	8"	1/2"	1 1/4"	3"	1/2"	3/4"
860BB-10	10 1/2"	10"	1/2"	1 1/4"	3"	1/2"	3/4"
860BB-12	12 1/2"	12"	1/2"	1 1/4"	3"	1/2"	3/4"
860BB-18	18 1/2"	18"	1/2"	1 1/4"	3"	1/2"	3/4"

Custom sizing available from 4 1/2" up to 24 1/2" overall height

Page 1 of 3



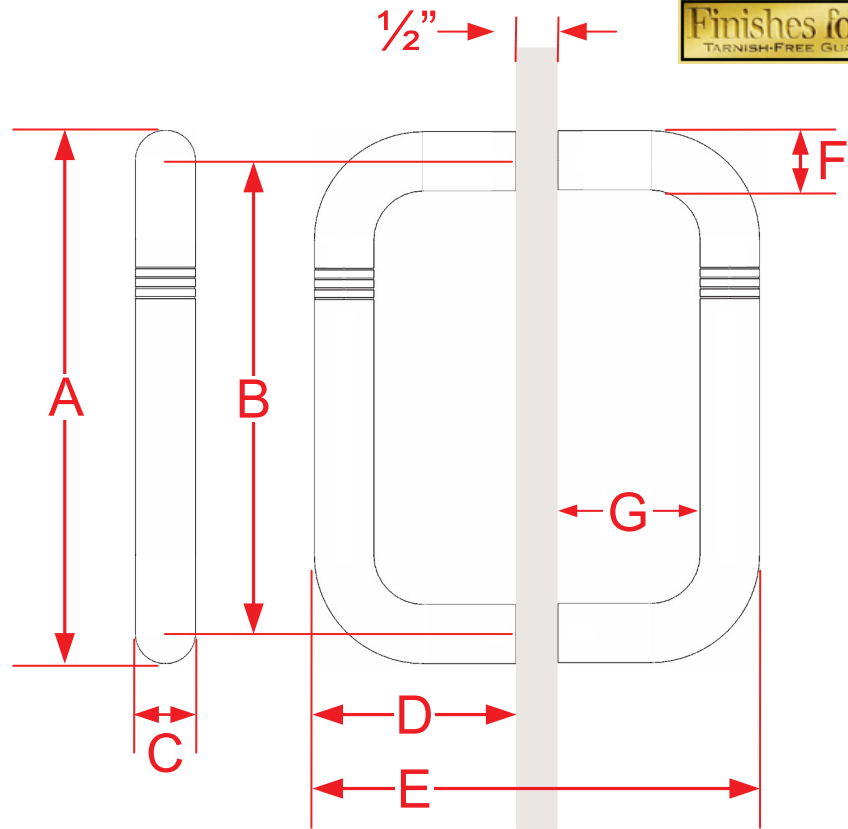
Manufacturing Fine Architectural Hardware  
in the USA Since 1927



Copyright 2024  
Colonial Bronze Company  
All rights reserved  
[www.colonialbronze.com](http://www.colonialbronze.com)  
860.489.9233

# 860BB, 258BB & 858BB Series Shower Door Pull

Finishes for Life  
TARNISH-FREE GUARANTEED™



Part #	A Overall Height	B Center to Center	C Handle Width	D Projection	E Overall Width (1/2" Glass)	F Base Width	G Clearance
258BB-6	6 3/4"	6"	3/4"	2 1/2"	5 1/2"	3/4"	1 3/4"
258BB-8	8 3/4"	8"	3/4"	2 1/2"	5 1/2"	3/4"	1 3/4"
258BB-10	10 3/4"	10"	3/4"	2 1/2"	5 1/2"	3/4"	1 3/4"
258BB-12	12 3/4"	12"	3/4"	2 1/2"	5 1/2"	3/4"	1 3/4"
238BB-18	18 3/4"	18"	3/4"	2 1/2"	5 1/2"	3/4"	1 3/4"
238BB-24	24 3/4"	24"	3/4"	2 1/2"	5 1/2"	3/4"	1 3/4"

Custom sizing available from 4 3/4" up to 30 3/4" overall height

Page 2 of 3



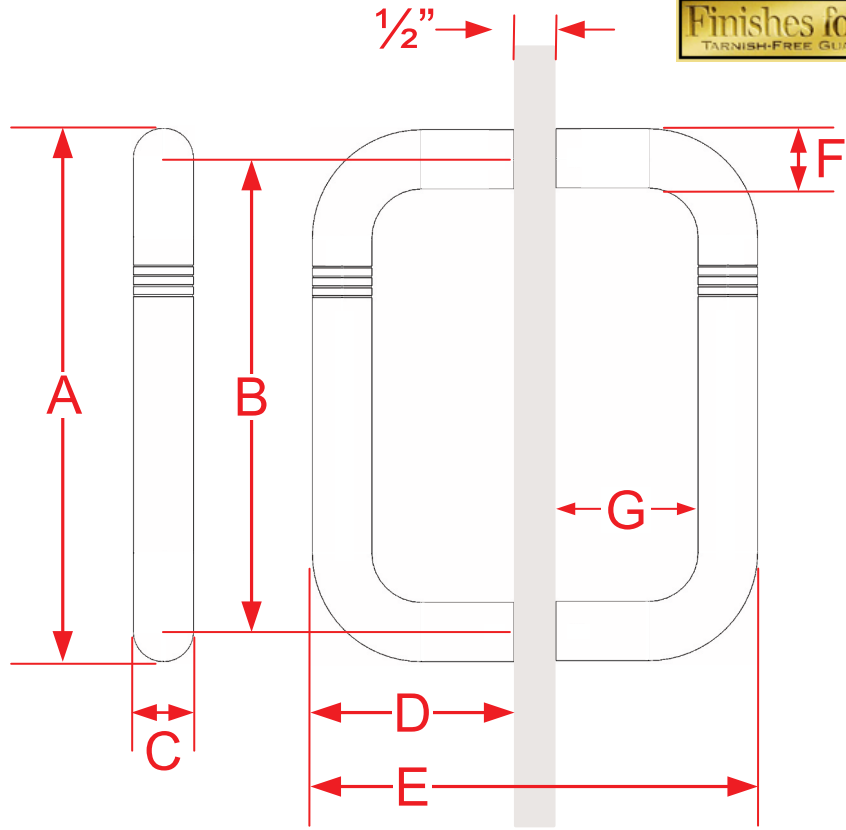
Manufacturing Fine Architectural Hardware  
in the USA Since 1927



Copyright 2024  
Colonial Bronze Company  
All rights reserved  
[www.colonialbronze.com](http://www.colonialbronze.com)  
860.489.9233

# 860BB, 258BB & 858BB Series Shower Door Pull

Finishes for Life  
TARNISH-FREE GUARANTEED™



Part #	A Overall Height	B Center to Center	C Handle Width	D Projection	E Overall Width (1/2" Glass)	F Base Width	G Clearance
858BB-6	6 3/4"	6"	3/4"	1 7/8"	4 1/4"	3/4"	1 1/8"
858BB-8	8 3/4"	8"	3/4"	1 7/8"	4 1/4"	3/4"	1 1/8"
858BB-10	10 3/4"	10"	3/4"	1 7/8"	4 1/4"	3/4"	1 1/8"
858BB-12	12 3/4"	12"	3/4"	1 7/8"	4 1/4"	3/4"	1 1/8"
838BB-18	18 3/4"	18"	3/4"	1 7/8"	4 1/4"	3/4"	1 1/8"
838BB-24	24 3/4"	24"	3/4"	1 7/8"	4 1/4"	3/4"	1 1/8"

Custom sizing available from 4 3/4" up to 30 3/4" overall height

Page 3 of 3



Manufacturing Fine Architectural Hardware  
in the USA Since 1927



Copyright 2024  
Colonial Bronze Company  
All rights reserved  
[www.colonialbronze.com](http://www.colonialbronze.com)  
860.489.9233